



SILVERWAYS INDUSTRIAL LIMITED  
銀威實業有限公司



100% Made In Italy  
REACH, CPSIA, Californian Proposition 65,  
Regulation (EC) No 1907/2006,  
UNI EN ISO 10993

100% 意大利製造, 符合歐美法規

## Nose Pads & Pad Arms Catalogue

## 鼻托及托臂產品目錄

Silverways Industrial Limited

Flat D, 10/F, Gold King Industrial Building, 35-41 Tai Lin Pai Road, Kwai Chung, Hong Kong | +852 2420 2180 | mail@silverways.com | www.silverways.com

©2024 Silverways Industrial Ltd., All Rights Reserved

100% Made In Italy  
 REACh, CPSIA, Californian Proposition 65,  
 Regulation (EC) No 1907/2006, UNI EN ISO 10993

100% 意大利製造 符合歐美法規

## FOR METAL FRAMES 金屬架用

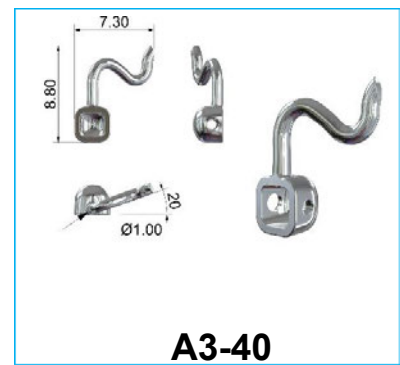
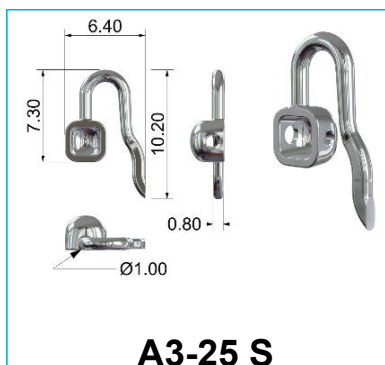
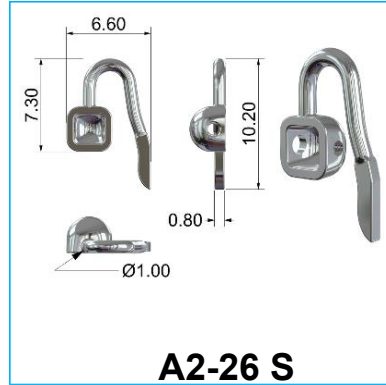
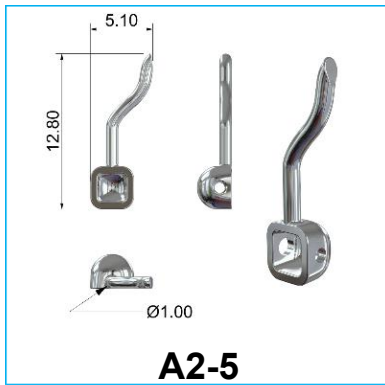
### MONOBLOCK PAD ARM SERIES 一體式無焊接托臂系列

Material: Full Nickelsilver

物料: 全白銅

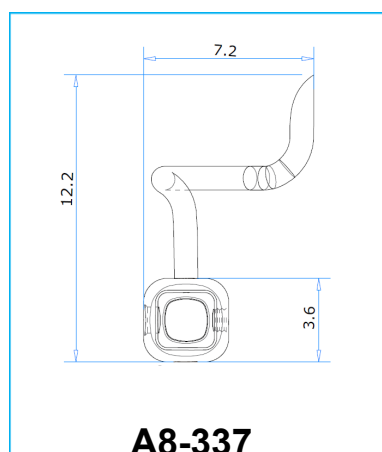
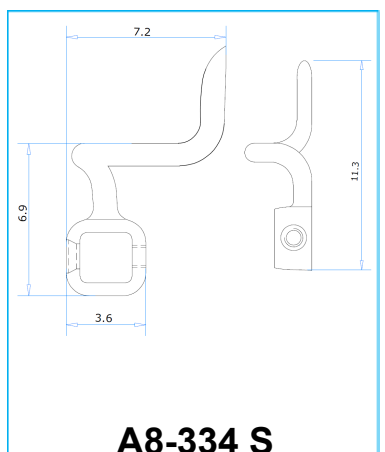
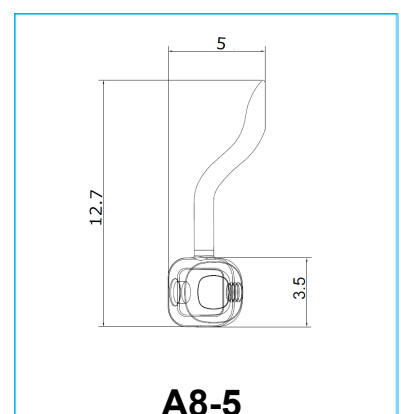
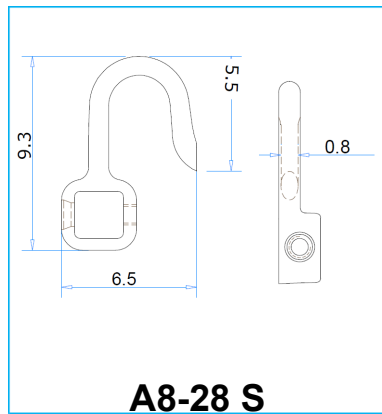
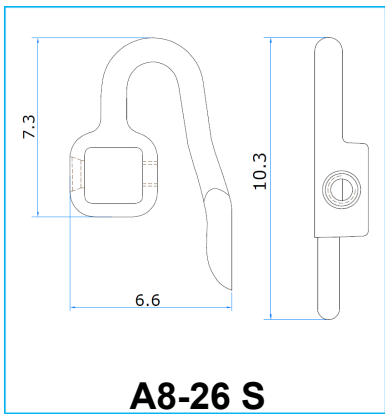
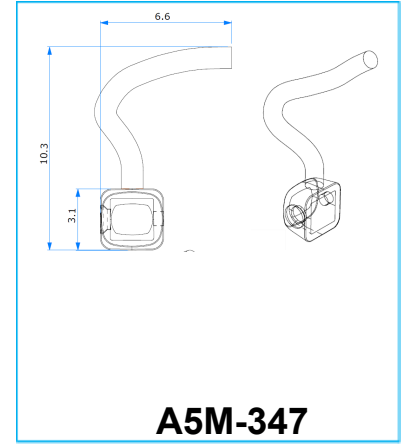
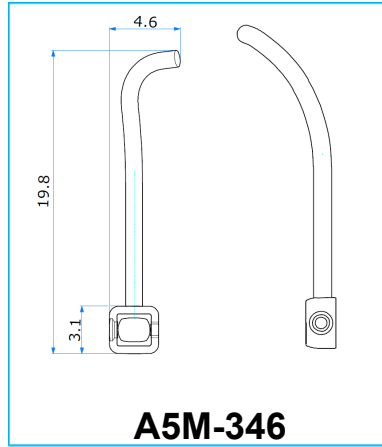
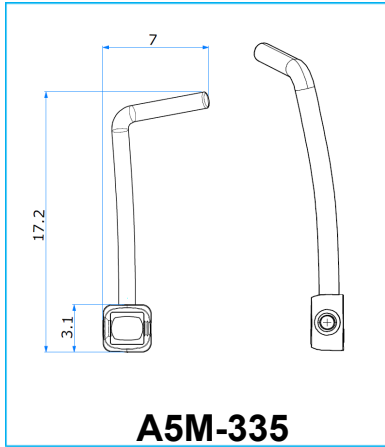
Assembly system: Screw

安裝系統: 鎖式



100% Made In Italy  
 REACh, CPSIA, Californian Proposition 65,  
 Regulation (EC) No 1907/2006, UNI EN ISO 10993

100% 意大利製造 符合歐美法規



100% Made In Italy  
 REACh, CPSIA, Californian Proposition 65,  
 Regulation (EC) No 1907/2006, UNI EN ISO 10993

100% 意大利製造 符合歐美法規

## **FOR METAL FRAMES 金屬架用**

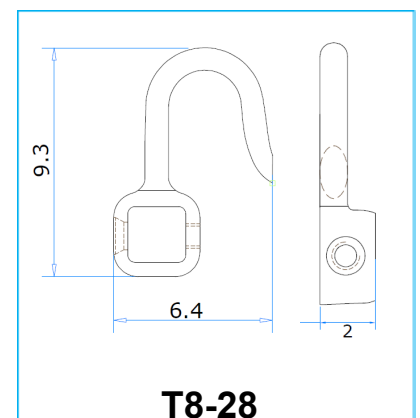
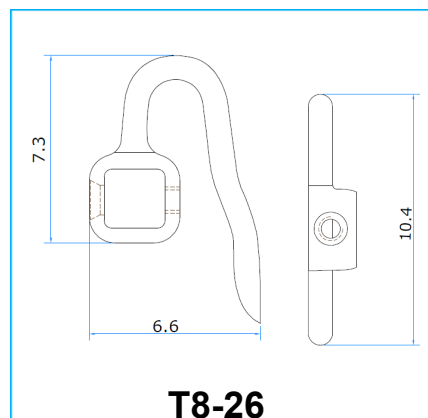
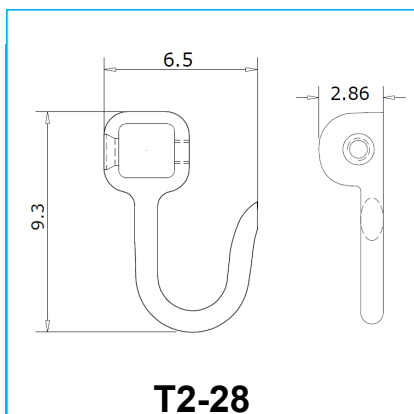
### **MONOBLOCK PAD ARM SERIES 一體式無焊接托臂系列**

Material: Full Titanium

物料: 全鈦

Assembly System: Screw

安裝系統: 鎖式



100% Made In Italy  
REACH, CPSIA, Californian Proposition 65,  
Regulation (EC) No 1907/2006, UNI EN ISO 10993

100% 意大利製造 符合歐美法規

## **FOR METAL FRAMES 金屬架用**

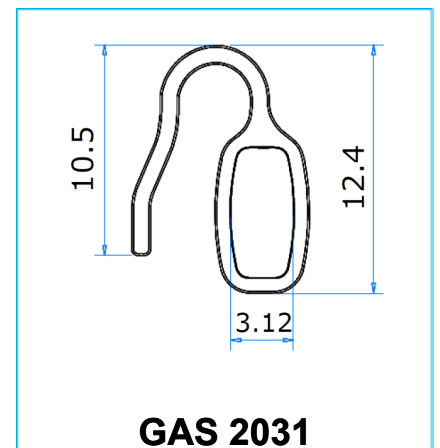
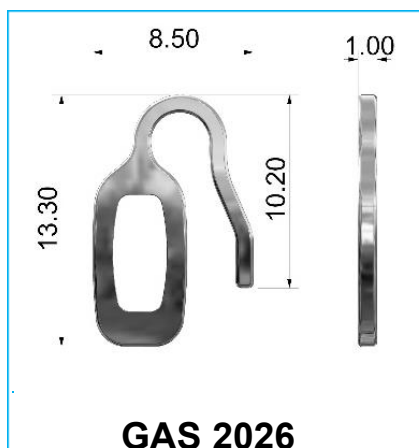
### **MONOBLOCK PAD ARM SERIES 一體式無焊接托臂系列**

Material: Full Nickelsilver

線莖物料: 全白銅

Assembly System: Button

安裝系統: 鈕扣式

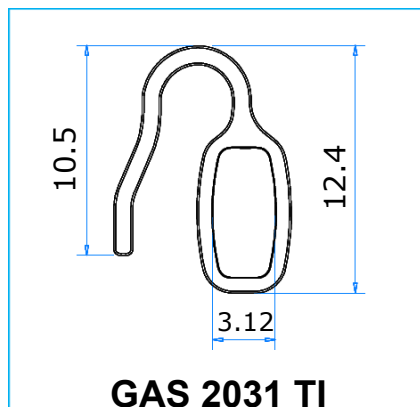


Material: Titanium

線莖物料: 鈦金屬

Assembly System: Button

安裝系統: 鈕扣式



100% Made In Italy  
REACH, CPSIA, Californian Proposition 65,  
Regulation (EC) No 1907/2006, UNI EN ISO 10993

100% 意大利製造 符合歐美法規

## FOR METAL FRAMES 金屬架用

### LOCKING BLOCK PAD ARMS 鎖合式托臂

Material: Full Nickelsilver  
物料: 全白銅

Assembly system: Screw  
安裝系統: 鎖式



100% Made In Italy  
 REACh, CPSIA, Californian Proposition 65,  
 Regulation (EC) No 1907/2006, UNI EN ISO 10993

100% 意大利製造 符合歐美法規

## **PAD ARMS FOR METAL FRAME 金屬架用托臂**

Stem Material: Monel

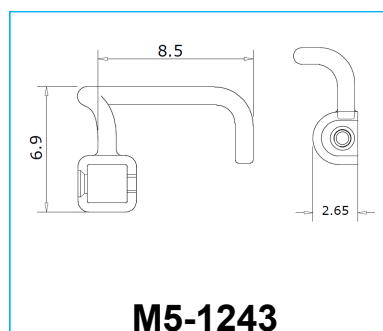
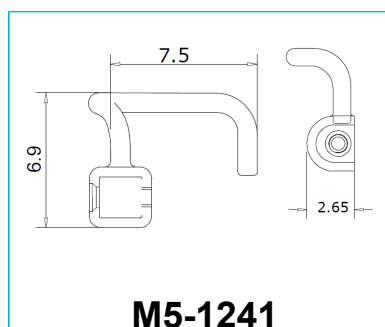
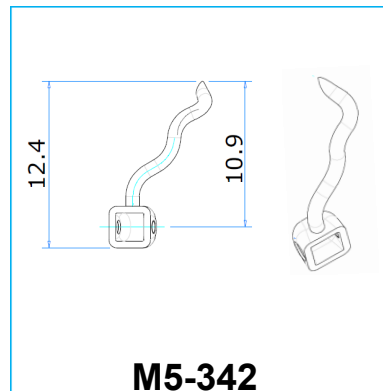
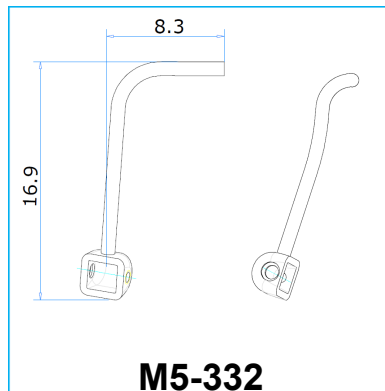
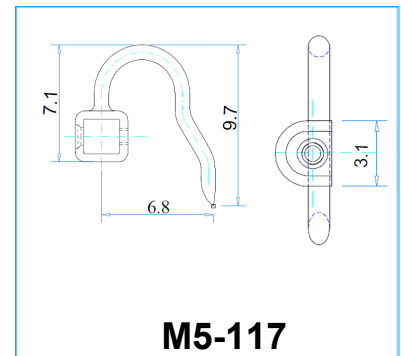
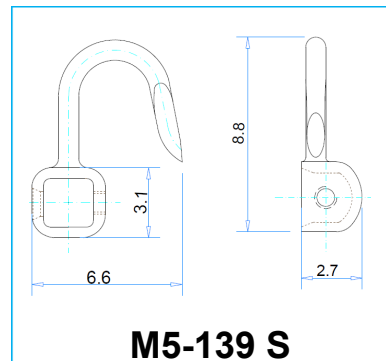
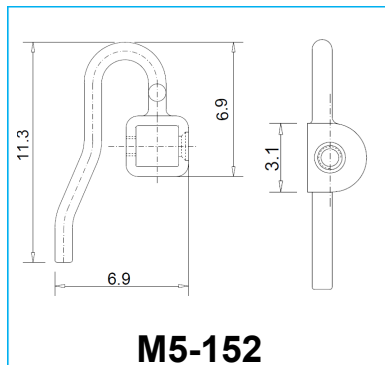
線莖物料: 蒙銅

Box Material: Nickelsilver

匣子物料: 白銅

Assembly System: Screw

安裝系統: 鎖式



100% Made In Italy  
REACH, CPSIA, Californian Proposition 65,  
Regulation (EC) No 1907/2006, UNI EN ISO 10993

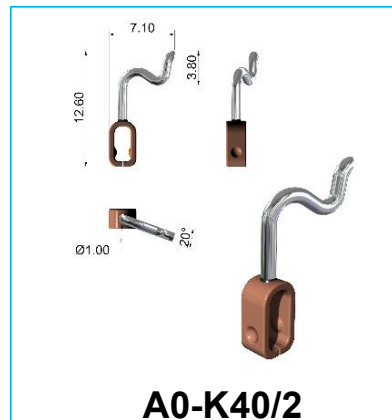
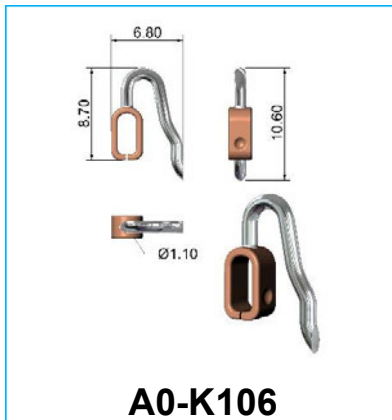
100% 意大利製造 符合歐美法規

## PAD ARMS FOR METAL FRAME 金屬架用托臂

Stem Material: Nickelsilver  
線莖物料: 白銅

Box Material: Nibrodal  
匣子物料: 尼銅合金

Assembly System: Click-in  
安裝系統: 夾式





100% Made In Italy  
 REACh, CPSIA, Californian Proposition 65,  
 Regulation (EC) No 1907/2006, UNI EN ISO 10993

100% 意大利製造 符合歐美法規

## PAD ARMS FOR METAL FRAME 金屬架用托臂

Stem Material: Monel ( Ø 0.9 ) / Nickelsilver ( Ø1.0-1.1 )

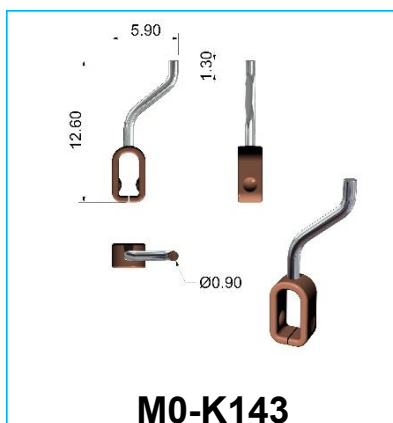
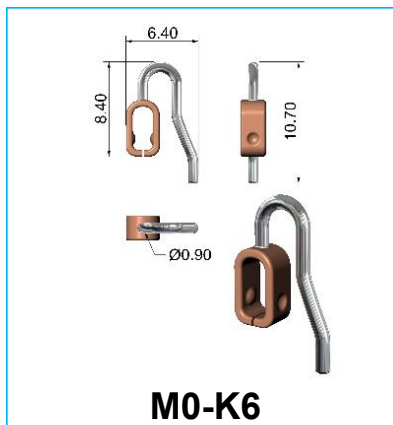
線莖物料: 蒙銅 ( Ø 0.9 ) / 白銅 ( Ø1.0-1.1 )

Box Material: Nibrodal

匣子物料: 尼銅合金

Assembly System: Click-in

安裝系統: 夾式



100% Made In Italy  
 REACh, CPSIA, Californian Proposition 65,  
 Regulation (EC) No 1907/2006, UNI EN ISO 10993

100% 意大利製造 符合歐美法規



**M6-121**



**M6-134**



**M0-K125**



**M0-K28**



**M0-K28 S**



**DA VIA' LUIGI** SRL  
made in Italy eyewear components



SILVERWAYS INDUSTRIAL LTD.  
銀威實業有限公司

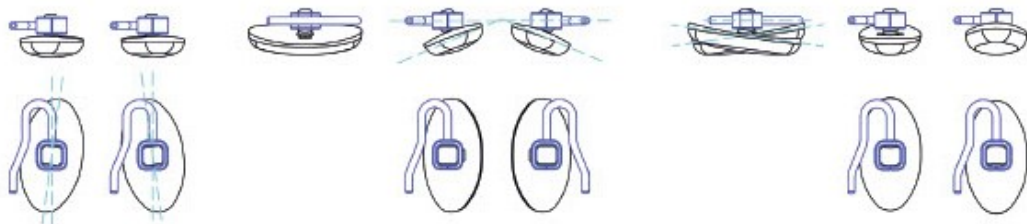
100% Made In Italy  
REACH, CPSIA, Californian Proposition 65,  
Regulation (EC) No 1907/2006, UNI EN ISO 10993

100% 意大利製造 符合歐美法規

意大利 DV 廠最新專利的夾式托臂  
Our new **click in** pad arm



Mechanism with High Mobility  
高移動性的機製



For the best fitting 與鼻樑自然相互配合

100% Made In Italy  
REACH, CPSIA, Californian Proposition 65,  
Regulation (EC) No 1907/2006, UNI EN ISO 10993

100% 意大利製造 符合歐美法規

## FOR PLASTICS FRAMES 膠架用

### FULL MONOBLOCK PAD ARM SERIES 全一體式無焊接托臂系列

#### New Patented Full Monoblock Pad Arms

#### 最新專利全一體式無焊接托臂

The innovative and patented monoblock pad arm for plastic frames developed by Da Vià's R&D lab.

- Made in 1-piece including the pins, without soldering
- Sleek, durable and easy to mount, no worries about solder breakage
- Can be fitted with a screw type pad and a customized pad
- Suitable for every type of plastic frame

意大利廠最新研發用於膠架的一體式托臂

- 用於膠架的全一體式無焊接托臂
- 流線型，易於安裝，耐用性強，沒有斷焊之憂
- 適用於所有鎖式鼻托及定制鼻托
- 適用於所有膠料眼鏡架



100% Made In Italy  
 REACh, CPSIA, Californian Proposition 65,  
 Regulation (EC) No 1907/2006, UNI EN ISO 10993

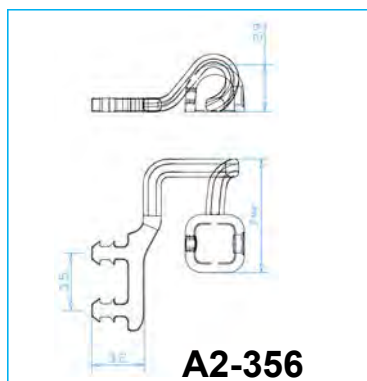
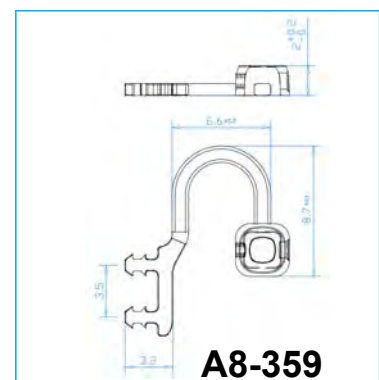
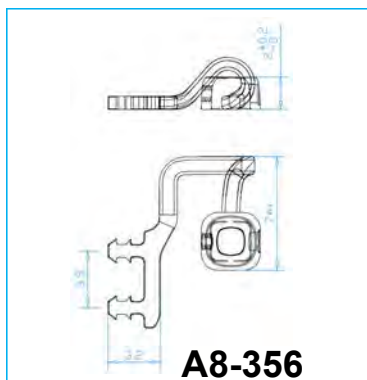
100% 意大利製造 符合歐美法規

## **FOR PLASTICS FRAMES 膠架用**

### **FULL MONOBLOCK PAD ARM SERIES 全一體式無焊接托臂系列**

Material: Full Nickelsilver  
 線莖物料: 全白銅

Assembly System: Screw / button  
 安裝系統: 鎖式 / 鈕扣式



100% Made In Italy  
REACH, CPSIA, Californian Proposition 65,  
Regulation (EC) No 1907/2006, UNI EN ISO 10993

100% 意大利製造 符合歐美法規

## **FOR PLASTICS FRAMES 膠架用**

### **MONOBLOCK PAD ARM SERIES ATTACHMENT PLATE**

#### **一體式無焊接托臂連底板**

A dedicated pad arm for plastic frames with a nickel silver attachment plate with stamped pins

用於膠架的專用托臂連白銅底板及沖壓釘

Our high quality manufacturing process allows for:

- ease of mounting
- long resistance over time
- easy adjusting on every shape
- can be fitted with a screw type pad and a customized pad

我們的高品質托臂：

- 易於安裝
- 耐用性高
- 容易調教
- 適用於所有鎖式鼻托及定制鼻托

cod. A8-1284



cod. A8-1197



cod. A2-1202



100% Made In Italy  
 REACh, CPSIA, Californian Proposition 65,  
 Regulation (EC) No 1907/2006, UNI EN ISO 10993

100% 意大利製造 符合歐美法規

## FOR PLASTICS FRAMES 膠架用

### MONOBLOCK PAD ARM SERIES ATTACHMENT PLATE

一體式無焊接托臂連底板

#### Attachment Plate with Lathe-worked Pin

連不鏽鋼底板及車床加工釘

Stem Material: Nickelsilver

線莖物料: 白銅

Box Material: Nickelsilver

匣子物料: 白銅

Lathe-worked Pin Material: Stainless Steel

車床加工釘物料: 不鏽鋼

Assembly System: Screw

安裝系統: 鎖式



100% Made In Italy  
 REACh, CPSIA, Californian Proposition 65,  
 Regulation (EC) No 1907/2006, UNI EN ISO 10993

100% 意大利製造 符合歐美法規

## **FOR PLASTICS FRAMES 膠架用**

### **MONOBLOCK PAD ARM SERIES ATTACHMENT PLATE**

**一體式無焊接托臂連底板**

#### **Attachment Plate Stamped Pin**

**連白銅底板及沖壓釘**

Stem Material: Nickelsilver

線莖物料: 白銅

Box Material: Nickelsilver

匣子物料: 白銅

Lathe-worked Pin Material: Nickelsilver

車床加工釘物料: 白銅

Assembly System: Screw

安裝系統: 鎖式





100% Made In Italy  
REACH, CPSIA, Californian Proposition 65,  
Regulation (EC) No 1907/2006, UNI EN ISO 10993

100% 意大利製造 符合歐美法規

## **FOR PLASTICS FRAMES 膠架用**

### **PAD ARMS WITH SCREW-IN ATTACHMENT PLATE**

#### **托臂連鎖式底板**

Stem Material: Monel

線莖物料: 蒙銅

Box Material: Bronze

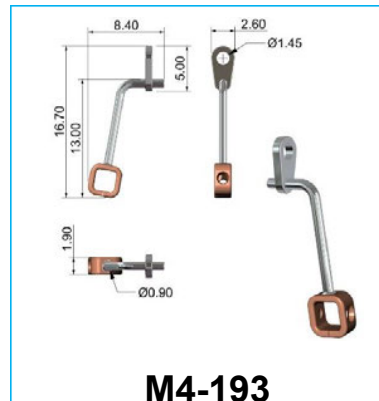
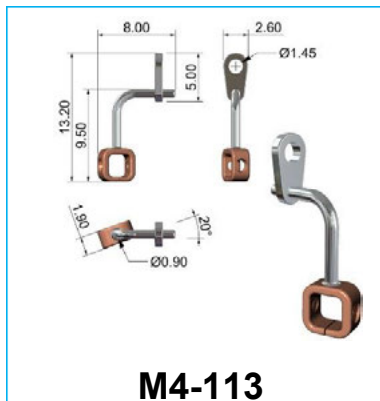
匣子物料: 青銅

Lathe-worked Pin Material: Nickelsilver

車床加工釘物料: 白銅

Assembly System: Screw

安裝系統: 鎖式



100% Made In Italy  
REACH, CPSIA, Californian Proposition 65,  
Regulation (EC) No 1907/2006, UNI EN ISO 10993

100% 意大利製造 符合歐美法規

## **Pad Arms Nose Bridge (Customization)**

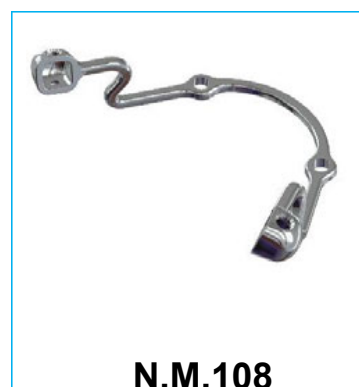
### **鼻樑式鼻托(定製)**

Material: Nickelsilver / Monel / Stainless Steel

線莖物料: 白銅 / 蒙銅 / 不鏽鋼

Assembly System: Screw / Click-in / Plug-in / Button

安裝系統: 鎖式 / 夾式 / 插入式 / 鈕扣式



100% Made In Italy  
REAch, CPSIA, Californian Proposition 65,  
Regulation (EC) No 1907/2006, UNI EN ISO 10993

100% 意大利製造 符合歐美法規

