



SILVERWAYS INDUSTRIAL LIMITED
銀威實業有限公司



100% Made In Italy
REACH, CPSIA, Californian Proposition 65,
Regulation (EC) No 1907/2006,
UNI EN ISO 10993

100% 意大利製造, 符合歐美法規

Nose Pads & Pad Arms Catalogue

鼻托及托臂產品目錄

Silverways Industrial Limited

Flat D, 10/F, Gold King Industrial Building, 35-41 Tai Lin Pai Road, Kwai Chung, Hong Kong | +852 2420 2180 | mail@silverways.com | www.silverways.com

©2023 Silverways Industrial Ltd., All Rights Reserved

100% Made In Italy
 REACh, CPSIA, Californian Proposition 65,
 Regulation (EC) No 1907/2006, UNI EN ISO 10993

100% 意大利製造 符合歐美法規

FOR METAL FRAMES 金屬架用

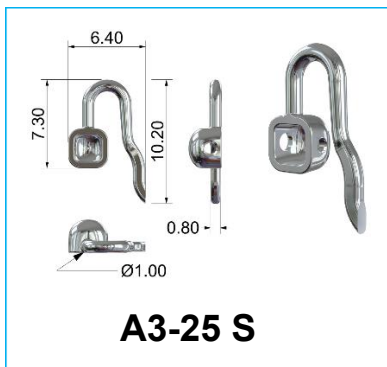
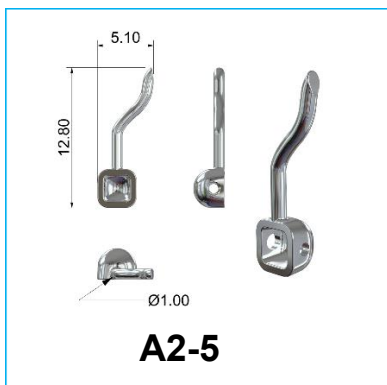
MONOBLOCK PAD ARM SERIES 一體式無焊接托臂系列

Material: Full Nickelsilver

物料: 全白銅

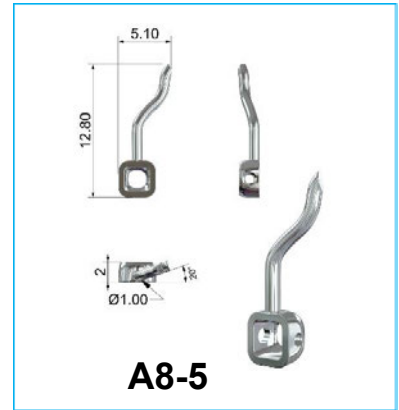
Assembly system: Screw

安裝系統: 鎖式



100% Made In Italy
REACH, CPSIA, Californian Proposition 65,
Regulation (EC) No 1907/2006, UNI EN ISO 10993

100% 意大利製造 符合歐美法規



100% Made In Italy
REACH, CPSIA, Californian Proposition 65,
Regulation (EC) No 1907/2006, UNI EN ISO 10993

100% 意大利製造 符合歐美法規

FOR METAL FRAMES 金屬架用

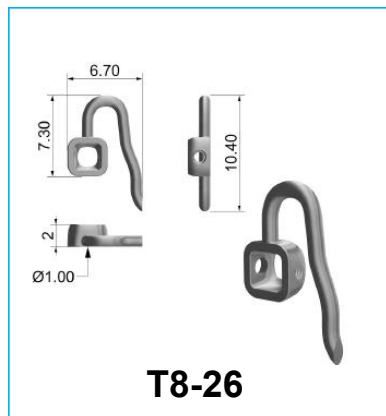
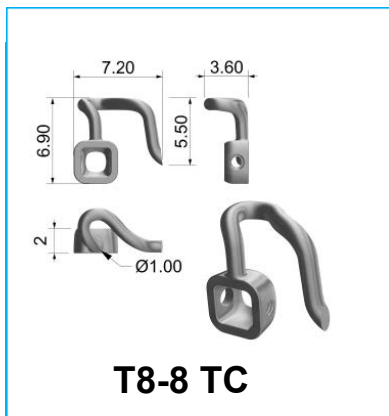
MONOBLOCK PAD ARM SERIES 一體式無焊接托臂系列

Material: Full Titanium

物料: 全鈦

Assembly System: Screw

安裝系統: 鎖式



100% Made In Italy
REAch, CPSIA, Californian Proposition 65,
Regulation (EC) No 1907/2006, UNI EN ISO 10993

100% 意大利製造 符合歐美法規

FOR METAL FRAMES 金屬架用

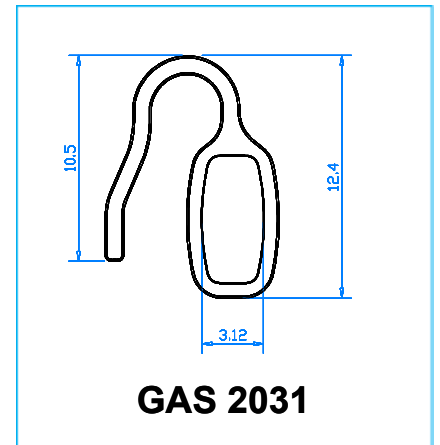
MONOBLOCK PAD ARM SERIES 一體式無焊接托臂系列

Material: Full Nickelsilver

線莖物料: 全白銅

Assembly System: Button

安裝系統: 鈕扣式

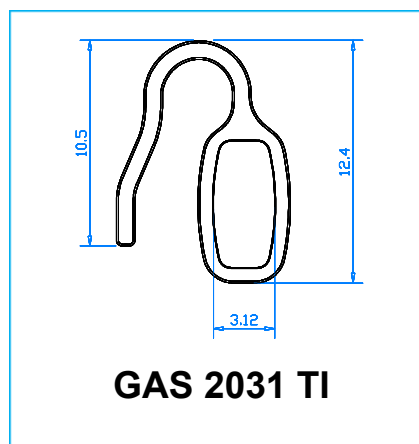


Material: Titanium

線莖物料: 鈦金屬

Assembly System: Button

安裝系統: 鈕扣式



100% Made In Italy
REACH, CPSIA, Californian Proposition 65,
Regulation (EC) No 1907/2006, UNI EN ISO 10993

100% 意大利製造 符合歐美法規

FOR METAL FRAMES 金屬架用

LOCKING BLOCK PAD ARMS 鎖合式托臂

Material: Full Nickelsilver
物料: 全白銅

Assembly system: Screw
安裝系統: 鎖式



100% Made In Italy
REACH, CPSIA, Californian Proposition 65,
Regulation (EC) No 1907/2006, UNI EN ISO 10993

100% 意大利製造 符合歐美法規

PAD ARMS FOR METAL FRAME 金屬架用托臂

Stem Material: Monel

線莖物料: 蒙銅

Box Material: Nickelsilver

匣子物料: 白銅

Assembly System: Screw

安裝系統: 鎖式



100% Made In Italy
REACH, CPSIA, Californian Proposition 65,
Regulation (EC) No 1907/2006, UNI EN ISO 10993

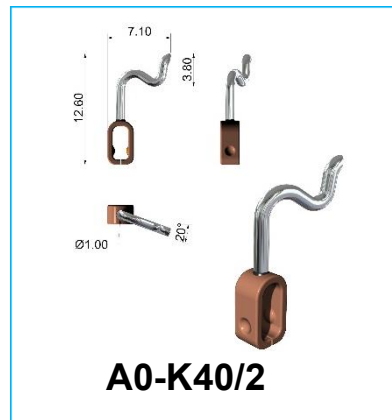
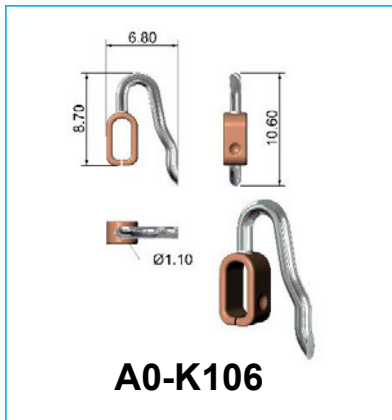
100% 意大利製造 符合歐美法規

PAD ARMS FOR METAL FRAME 金屬架用托臂

Stem Material: Nickelsilver
線莖物料: 白銅

Box Material: Nibrodal
匣子物料: 尼銅合金

Assembly System: Click-in
安裝系統: 夾式



100% Made In Italy
 REACh, CPSIA, Californian Proposition 65,
 Regulation (EC) No 1907/2006, UNI EN ISO 10993

100% 意大利製造 符合歐美法規

PAD ARMS FOR METAL FRAME 金屬架用托臂

Stem Material: Monel (Ø 0.9) / Nickelsilver (Ø1.0-1.1)

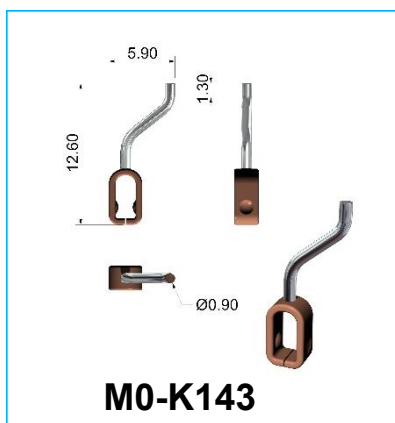
線莖物料: 蒙銅 (Ø 0.9) / 白銅 (Ø1.0-1.1)

Box Material: Nibrodal

匣子物料: 尼銅合金

Assembly System: Click-in

安裝系統: 夾式



100% Made In Italy
 REACh, CPSIA, Californian Proposition 65,
 Regulation (EC) No 1907/2006, UNI EN ISO 10993

100% 意大利製造 符合歐美法規





100% Made In Italy
REAch, CPSIA, Californian Proposition 65,
Regulation (EC) No 1907/2006, UNI EN ISO 10993

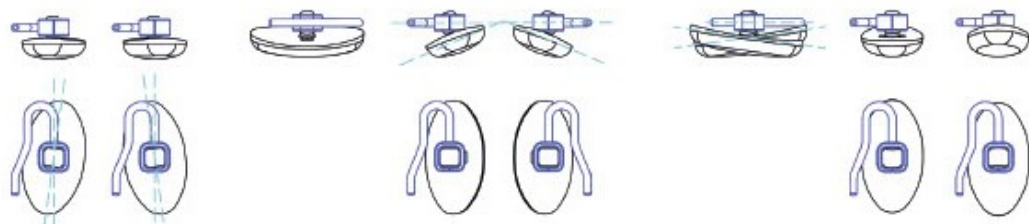
100% 意大利製造 符合歐美法規

意大利 DV 廠最新專利的夾式托臂 Our new click in pad arm



Mechanism with High Mobility

高移動性的機製



For the best fitting 與鼻樑自然相互配合

100% Made In Italy
REACH, CPSIA, Californian Proposition 65,
Regulation (EC) No 1907/2006, UNI EN ISO 10993

100% 意大利製造 符合歐美法規

FOR PLASTICS FRAMES 膠架用

FULL MONOBLOCK PAD ARM SERIES 全一體式無焊接托臂系列

New Patented Full Monoblock Pad Arms

最新專利全一體式無焊接托臂

The innovative and patented monoblock pad arm for plastic frames developed by Da Vià's R&D lab.

- Made in 1-piece including the pins, without soldering
- Sleek, durable and easy to mount, no worries about solder breakage
- Can be fitted with a screw type pad and a customized pad
- Suitable for every type of plastic frame

意大利廠最新研發用於膠架的一體式托臂

- 用於膠架的全一體式無焊接托臂
- 流線型，易於安裝，耐用性強，沒有斷焊之憂
- 適用於所有鎖式鼻托及定制鼻托
- 適用於所有膠料眼鏡架



100% Made In Italy
REACH, CPSIA, Californian Proposition 65,
Regulation (EC) No 1907/2006, UNI EN ISO 10993

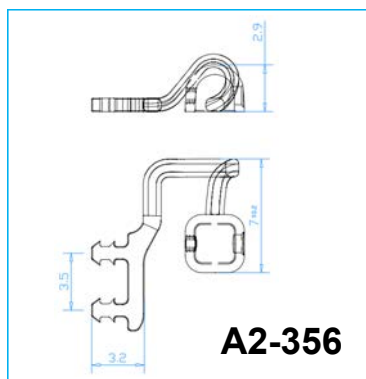
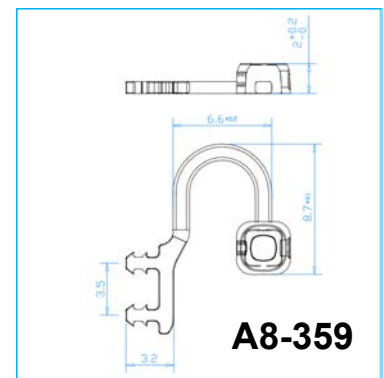
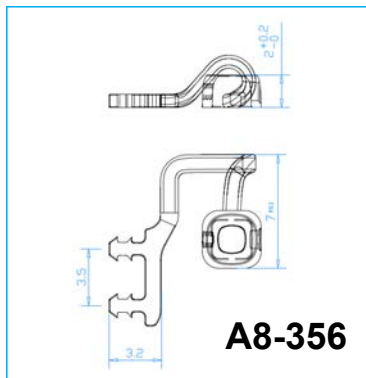
100% 意大利製造 符合歐美法規

FOR PLASTICS FRAMES 膠架用

FULL MONOBLOCK PAD ARM SERIES 全一體式無焊接托臂系列

Material: Full Nickelsilver
線莖物料: 全白銅

Assembly System: Screw / button
安裝系統: 鎖式 / 鈕扣式



100% Made In Italy
REACH, CPSIA, Californian Proposition 65,
Regulation (EC) No 1907/2006, UNI EN ISO 10993

100% 意大利製造 符合歐美法規

FOR PLASTICS FRAMES 膠架用

MONOBLOCK PAD ARM SERIES ATTACHMENT PLATE

一體式無焊接托臂連底板

A dedicated pad arm for plastic frames with a nickel silver attachment plate with stamped pins

用於膠架的專用托臂連白銅底板及沖壓釘

Our high quality manufacturing process allows for:

- ease of mounting
- long resistance over time
- easy adjusting on every shape
- can be fitted with a screw type pad and a customized pad

我們的高品質托臂：

- 易於安裝
- 耐用性高
- 容易調教
- 適用於所有鎖式鼻托及定制鼻托

cod. A8-1284



cod. A8-1197



cod. A2-1202



100% Made In Italy
 REACh, CPSIA, Californian Proposition 65,
 Regulation (EC) No 1907/2006, UNI EN ISO 10993

100% 意大利製造 符合歐美法規

FOR PLASTICS FRAMES 膠架用

MONOBLOCK PAD ARM SERIES ATTACHMENT PLATE

一體式無焊接托臂連底板

Attachment Plate with Lathe-worked Pin

連不鏽鋼底板及車床加工釘

Stem Material: Nickelsilver

線莖物料: 白銅

Box Material: Nickelsilver

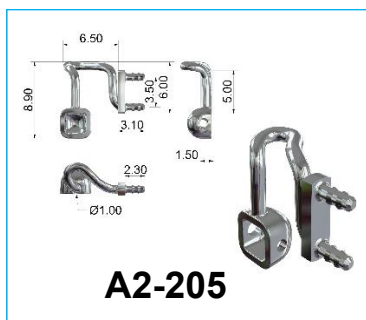
匣子物料: 白銅

Lathe-worked Pin Material: Stainless Steel

車床加工釘物料: 不鏽鋼

Assembly System: Screw

安裝系統: 鎖式



100% Made In Italy
 REACh, CPSIA, Californian Proposition 65,
 Regulation (EC) No 1907/2006, UNI EN ISO 10993

100% 意大利製造 符合歐美法規

FOR PLASTICS FRAMES 膠架用

MONOBLOCK PAD ARM SERIES ATTACHMENT PLATE

一體式無焊接托臂連底板

Attachment Plate Stamped Pin

連白銅底板及沖壓釘

Stem Material: Nickelsilver

線莖物料: 白銅

Box Material: Nickelsilver

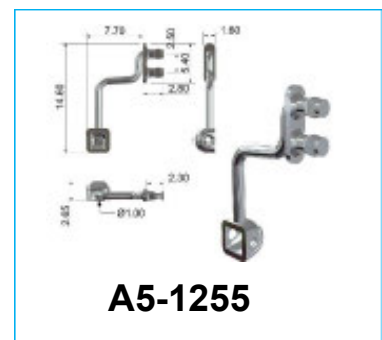
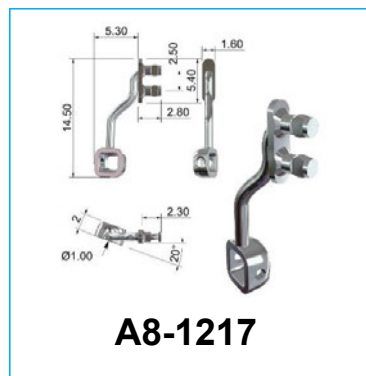
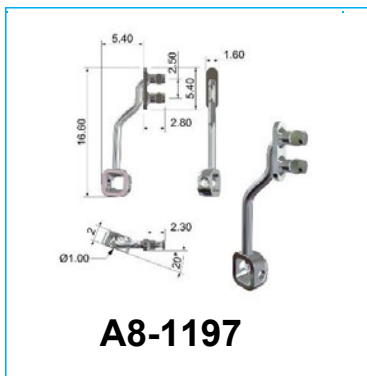
匣子物料: 白銅

Lathe-worked Pin Material: Nickelsilver

車床加工釘物料: 白銅

Assembly System: Screw

安裝系統: 鎖式



100% Made In Italy
REACH, CPSIA, Californian Proposition 65,
Regulation (EC) No 1907/2006, UNI EN ISO 10993

100% 意大利製造 符合歐美法規

FOR PLASTICS FRAMES 膠架用

PAD ARMS WITH SCREW-IN ATTACHMENT PLATE

托臂連鎖式底板

Stem Material: Monel

線莖物料: 蒙銅

Box Material: Bronze

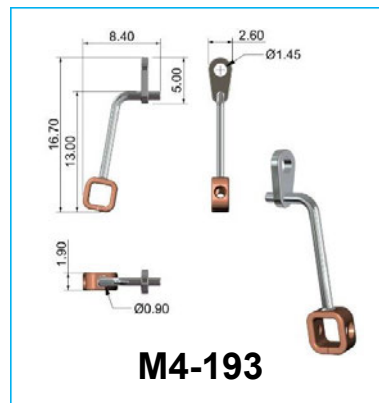
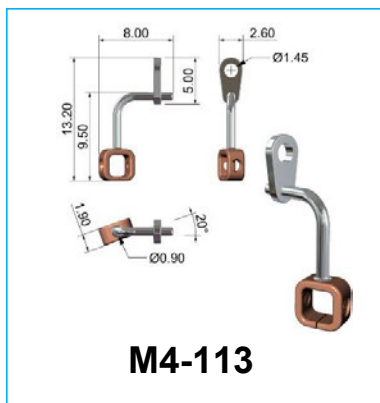
匣子物料: 青銅

Lathe-worked Pin Material: Nickelsilver

車床加工釘物料: 白銅

Assembly System: Screw

安裝系統: 鎖式



100% Made In Italy
REACH, CPSIA, Californian Proposition 65,
Regulation (EC) No 1907/2006, UNI EN ISO 10993

100% 意大利製造 符合歐美法規

Pad Arms Nose Bridge (Customization)

鼻樑式鼻托(定製)

Material: Nickelsilver / Monel / Stainless Steel

線莖物料: 白銅 / 蒙銅 / 不鏽鋼

Assembly System: Screw / Click-in / Plug-in / Button

安裝系統: 鎖式 / 夾式 / 插入式 / 鈕扣式





100% Made In Italy
REAch, CPSIA, Californian Proposition 65,
Regulation (EC) No 1907/2006, UNI EN ISO 10993

100% 意大利製造 符合歐美法規

