



SILVERWAYS INDUSTRIAL LIMITED
銀威實業有限公司



100% Made In Italy
REACH, CPSIA, Californian Proposition 65,
Regulation (EC) No 1907/2006,
UNI EN ISO 10993

100% 意大利製造, 符合歐美法規

Nose Pads & Pad Arms Catalogue

鼻托及托臂產品目錄

Silverways Industrial Limited

Flat D, 10/F, Gold King Industrial Building, 35-41 Tai Lin Pai Road, Kwai Chung, Hong Kong | +852 2420 2180 | mail@silverways.com | www.silverways.com

©2024 Silverways Industrial Ltd., All Rights Reserved

100% Made In Italy
 REACh, CPSIA, Californian Proposition 65,
 Regulation (EC) No 1907/2006, UNI EN ISO 10993

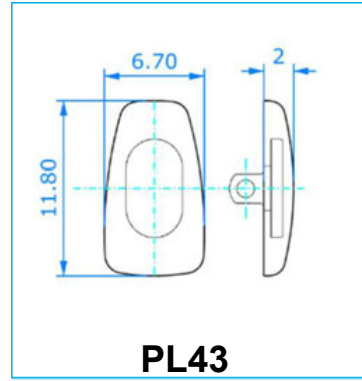
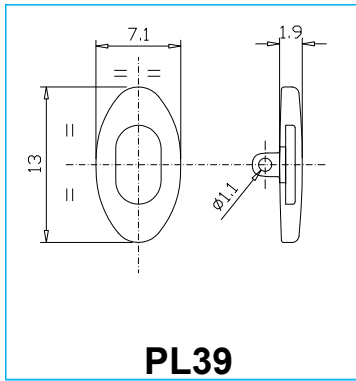
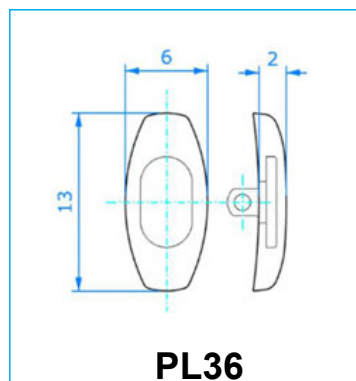
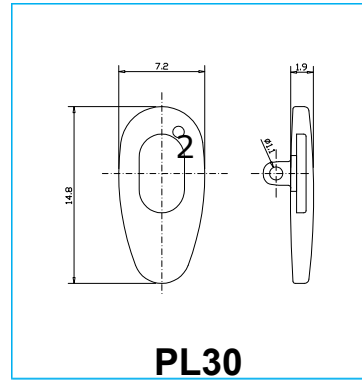
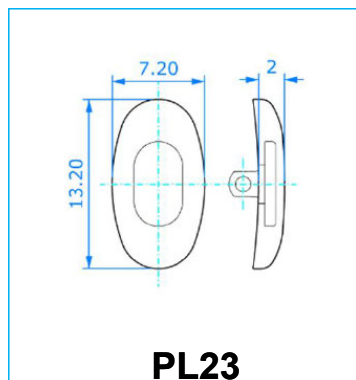
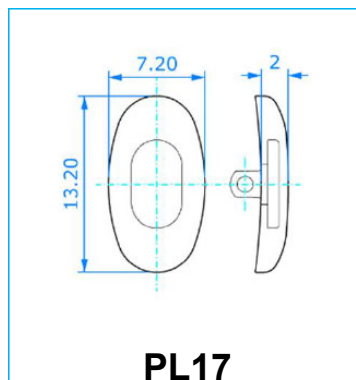
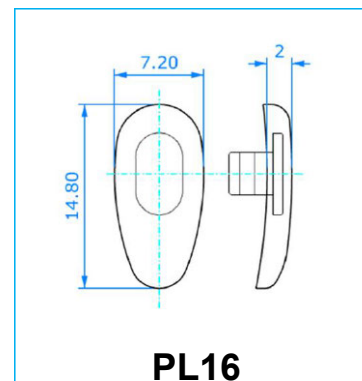
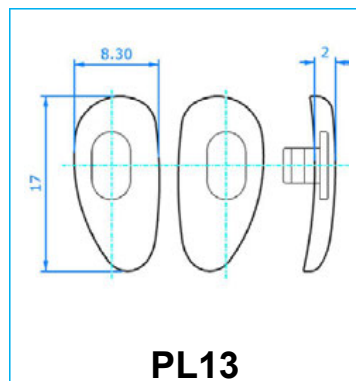
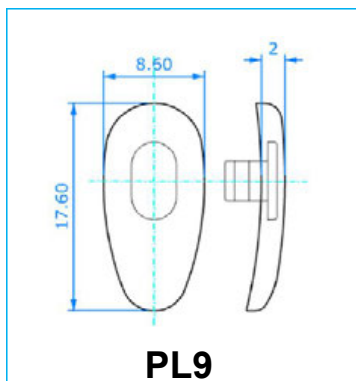
100% 意大利製造 符合歐美法規

Nose Pads - Screw & Click-in

鎖式和夾式鼻托

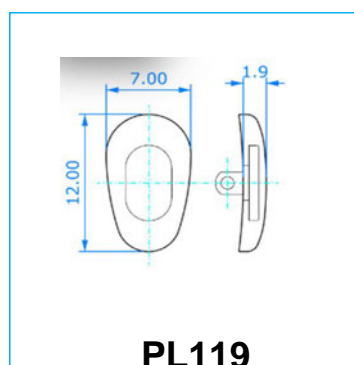
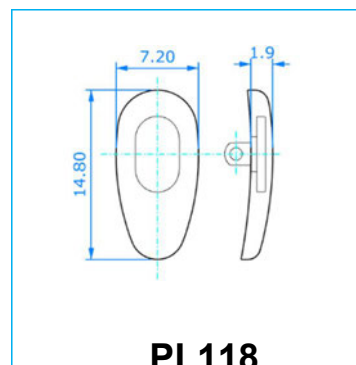
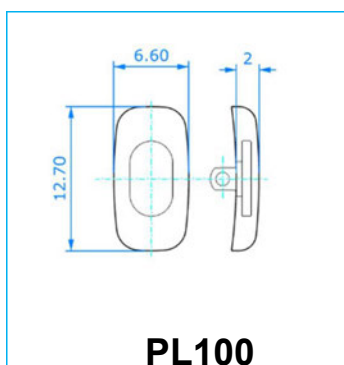
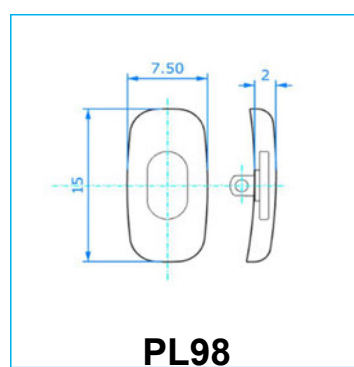
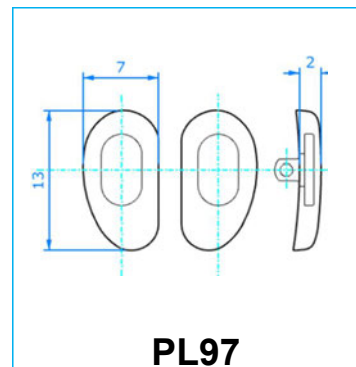
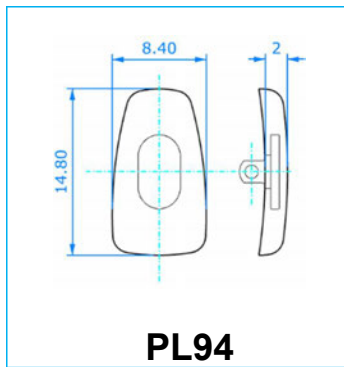
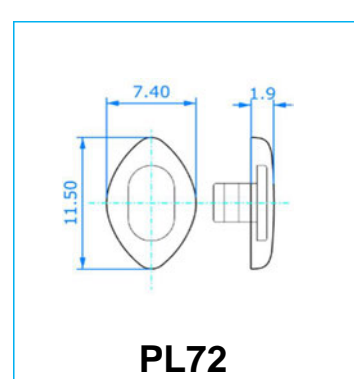
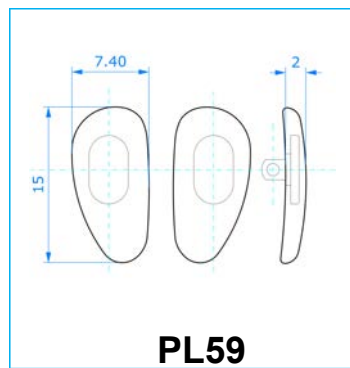
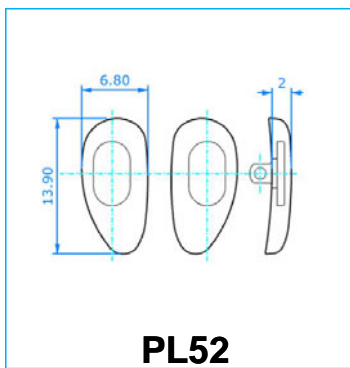
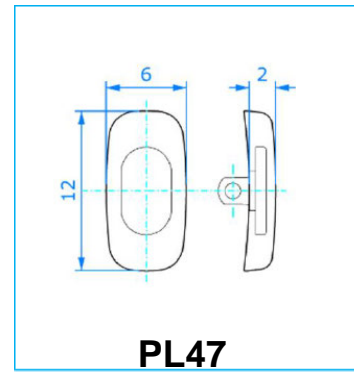
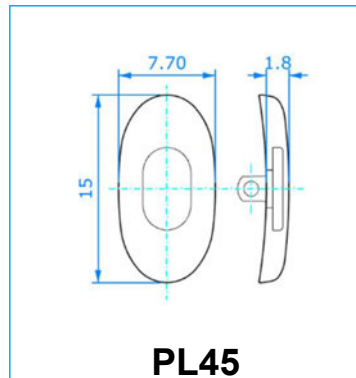
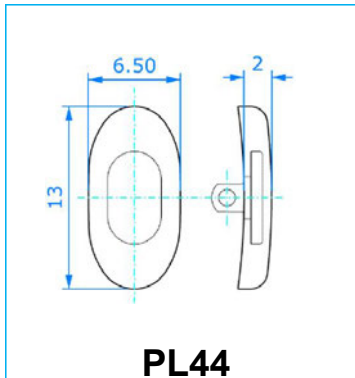
Standard Material: Medical PVC / Medical Softer PVC
 Eco-friendly Material⁽¹⁾: NSP / Greenspect / An-bact

標準物料：醫療級 PVC / 醫療級柔軟 PVC
 環保物料⁽¹⁾：NSP / Greenspect / An-bact



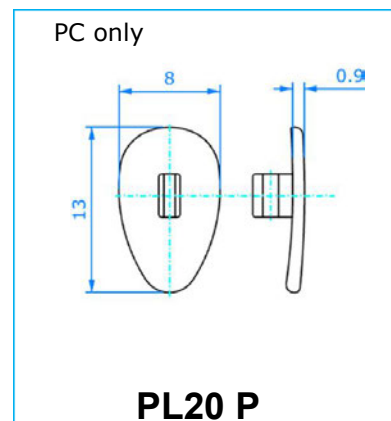
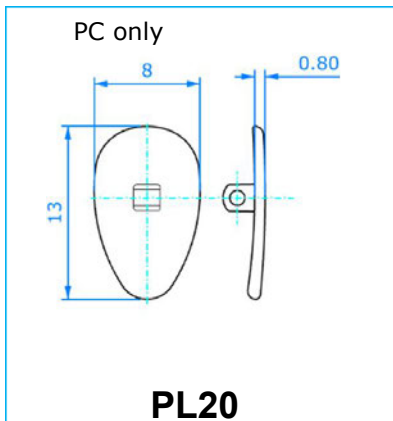
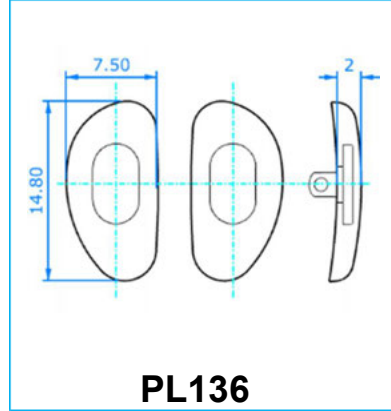
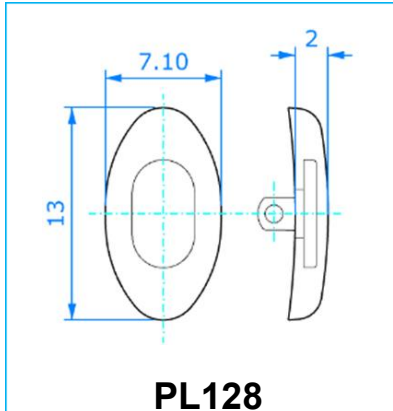
100% Made In Italy
 REACh, CPSIA, Californian Proposition 65,
 Regulation (EC) No 1907/2006, UNI EN ISO 10993

100% 意大利製造 符合歐美法規



100% Made In Italy
 REACh, CPSIA, Californian Proposition 65,
 Regulation (EC) No 1907/2006, UNI EN ISO 10993

100% 意大利製造 符合歐美法規



Note (1)

NSP (phthalates & BPA free, 100% recyclable and 100% bio-compatible)
 Greenspect (Bio-based Medical PVC, 100% recyclable, phthalates and BPA free)
 An-bact (Antimicrobial Medical PVC, BPA free)

備註 (1)

NSP (不含鄰苯二甲酸酯及雙酚A), 100%可回收利用及通過皮膚病學測試)
 Greenspect (以生物基為基礎的醫療級 PVC, 100%可回收利用, 不含鄰苯二甲酸酯及雙酚A) An-bact
 (抗菌、抗有害微生物的醫療級 PVC 鼻托, 不含雙酚A)

100% Made In Italy
 REACh, CPSIA, Californian Proposition 65,
 Regulation (EC) No 1907/2006, UNI EN ISO 10993

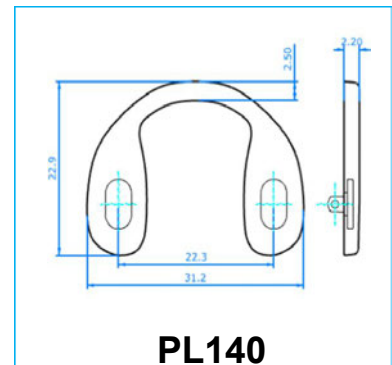
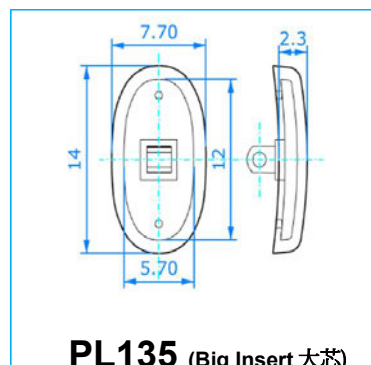
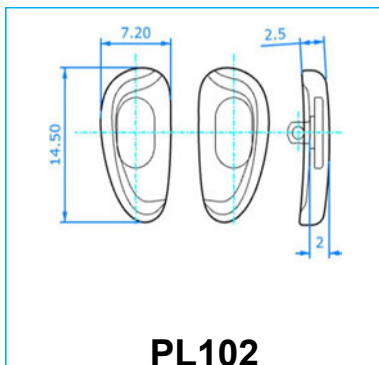
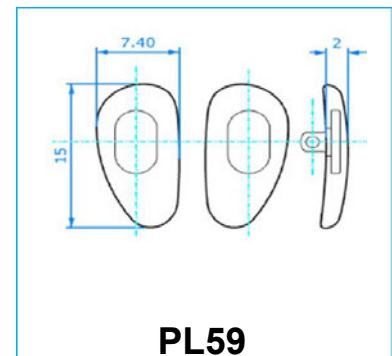
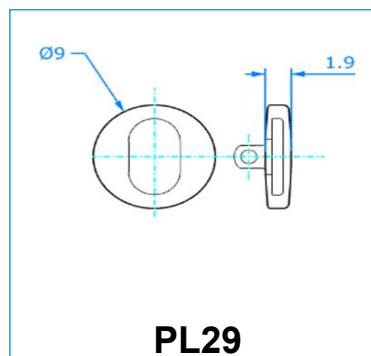
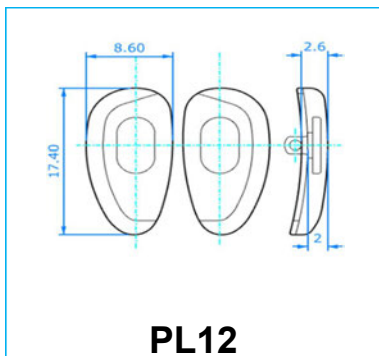
100% 意大利製造 符合歐美法規

Nose Pads - Screw Only

只供鎖式鼻托

Standard Material: Medical PVC / Medical Softer PVC
 Eco-friendly Material⁽¹⁾: NSP / Greenspect / An-bact

標準物料：醫療級 PVC / 醫療級柔軟 PVC
 環保物料⁽¹⁾：NSP / Greenspect / An-bact



Note (1)

NSP (phthalates & BPA free, 100% recyclable and 100% bio-compatible)

Greenspect (Bio-based Medical PVC, 100% recyclable, phthalates and BPA free)

An-bact (Antimicrobial Medical PVC, BPA free)

備註 (1)

NSP (不含鄰苯二甲酸酯及雙酚A), 100%可回收利用及通過皮膚病學測試)

Greenspect (以生物基為基礎的醫療級 PVC, 100%可回收利用, 不含鄰苯二甲酸酯及雙酚A) An-bact

(抗菌、抗有害微生物的醫療級 PVC 鼻托, 不含雙酚A)

100% Made In Italy
REACH, CPSIA, Californian Proposition 65,
Regulation (EC) No 1907/2006, UNI EN ISO 10993

100% 意大利製造 符合歐美法規

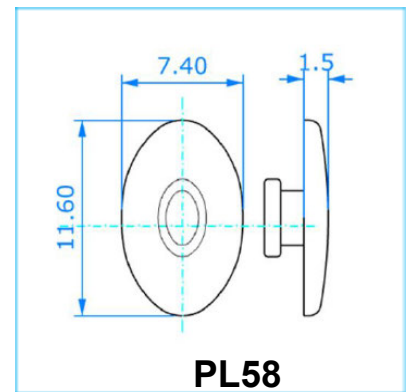
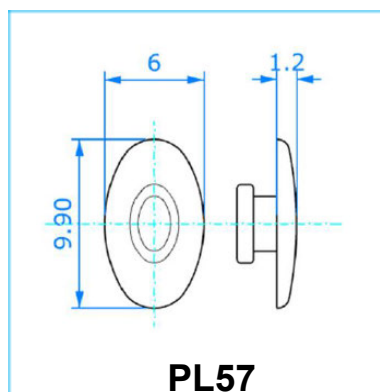
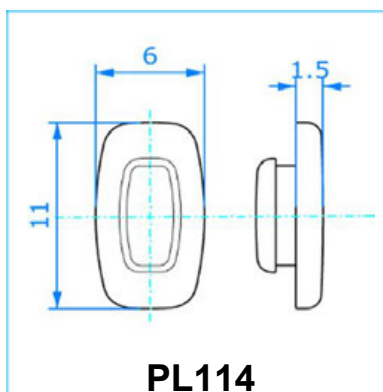
Mono Nose Pads - Other System

一體鼻托 - 其他制式

Button 鈕扣式

Material: Medical PVC / Medical Softer PVC / NSP (NSP is phthalate free, 100% recyclable and 100% bio-compatible)

物料：醫療級 PVC / 醫療級柔軟 PVC / 環保 NSP (NSP 不含鄰苯二甲酸酯, 100%可回收利用及100%生物相容性)



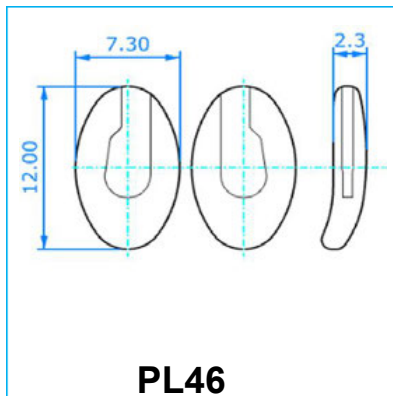
100% Made In Italy
REACH, CPSIA, Californian Proposition 65,
Regulation (EC) No 1907/2006, UNI EN ISO 10993

100% 意大利製造 符合歐美法規

Plug-In 直插式

Material: Medical PVC / Medical Softer PVC / NSP (NSP is phthalate free, 100% recyclable and 100% bio-compatible)

物料：醫療級 PVC / 醫療級柔軟 PVC / 環保 NSP (NSP 不含鄰苯二甲酸酯, 100%可回收利用及100%生物相容性)



100% Made In Italy
 REACh, CPSIA, Californian Proposition 65,
 Regulation (EC) No 1907/2006, UNI EN ISO 10993

100% 意大利製造 符合歐美法規

Medical PVC Nose Pads with Zamak Insert

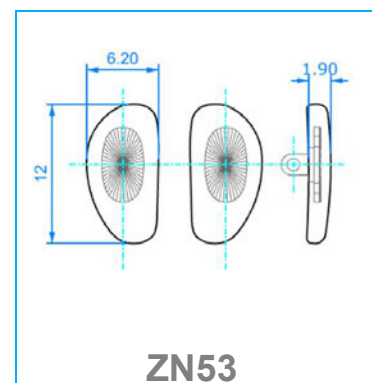
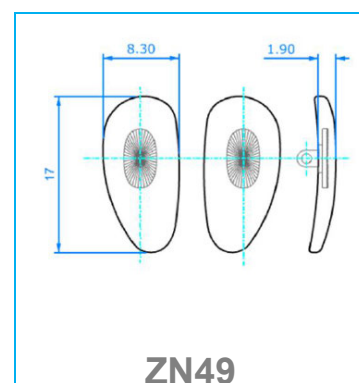
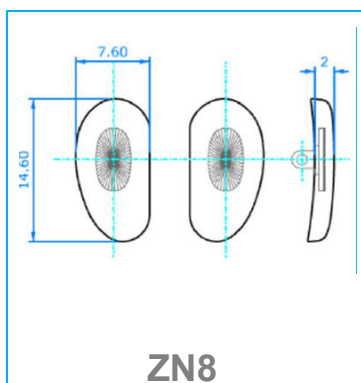
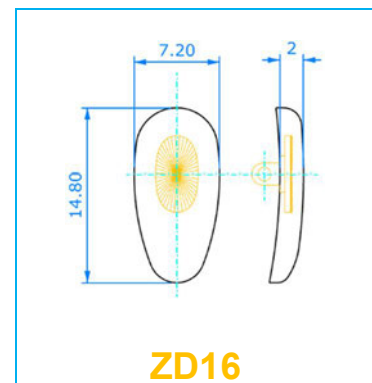
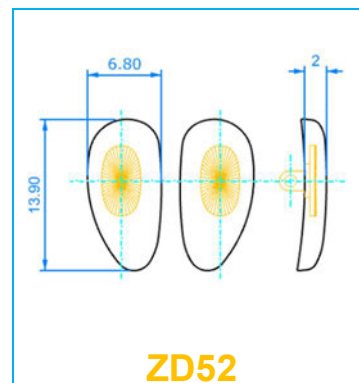
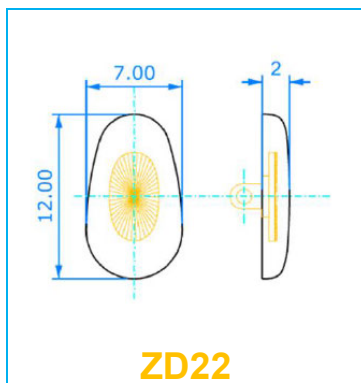
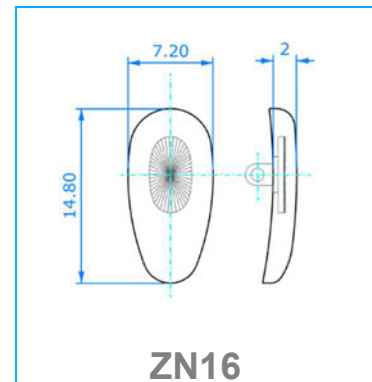
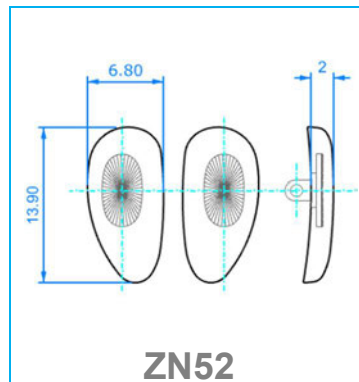
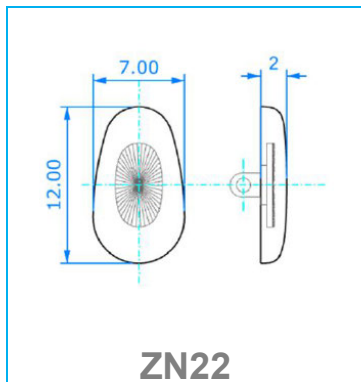
醫療級 PVC 鼻托(金屬內芯)

Assembly System: Screw

安裝系統：鎖式

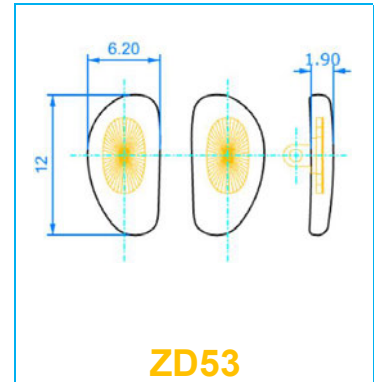
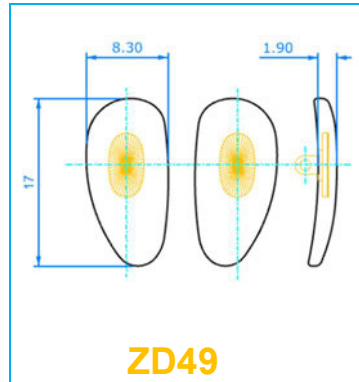
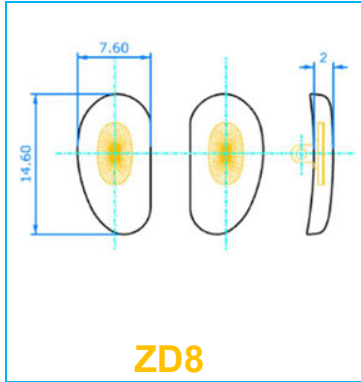
Available Galvanized Colours: Gold & Silver

可電鍍顏色：金或銀



100% Made In Italy
REACH, CPSIA, Californian Proposition 65,
Regulation (EC) No 1907/2006, UNI EN ISO 10993

100% 意大利製造 符合歐美法規



100% Made In Italy
REACH, CPSIA, Californian Proposition 65,
Regulation (EC) No 1907/2006, UNI EN ISO 10993

100% 意大利製造 符合歐美法規

Stainless Steel Nose Pads

不鏽鋼鼻托

Assembly System: Screw

安裝系統: 鎖式

Available Colours: Palladium, Gold & Ruthenium

顏色: 鈀, 金或鈦



100% Made In Italy
 REACh, CPSIA, Californian Proposition 65,
 Regulation (EC) No 1907/2006, UNI EN ISO 10993

100% 意大利製造 符合歐美法規

Titanium Nose Pads

鈦金屬鼻托

Assembly System: Screw / Click-in

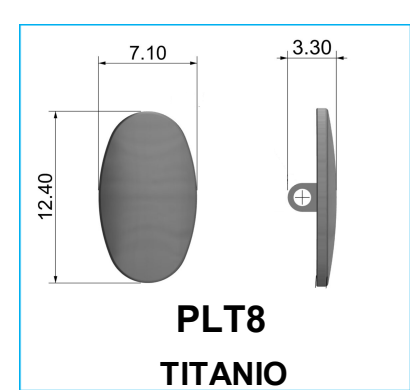
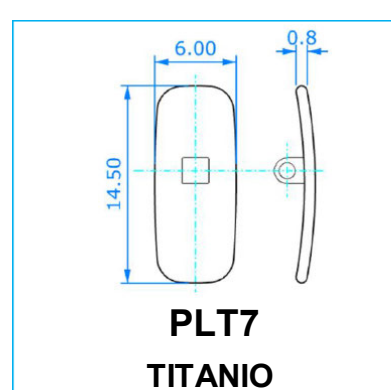
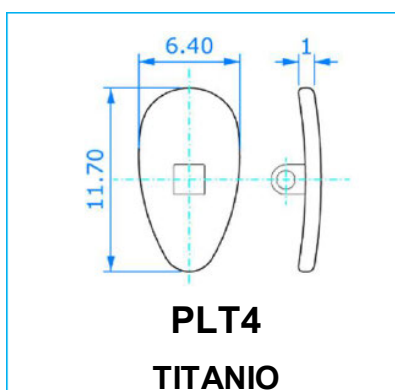
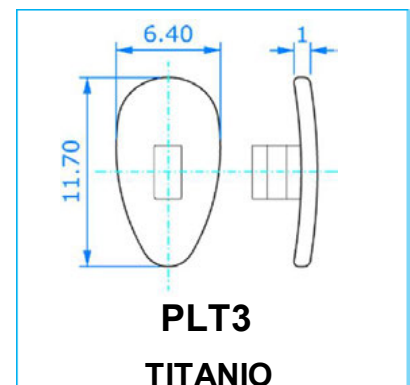
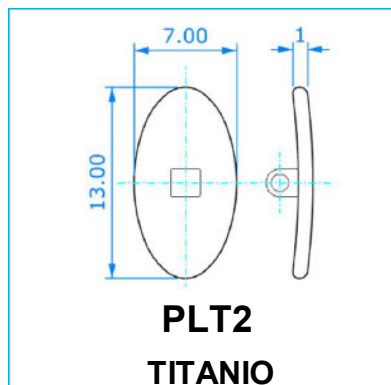
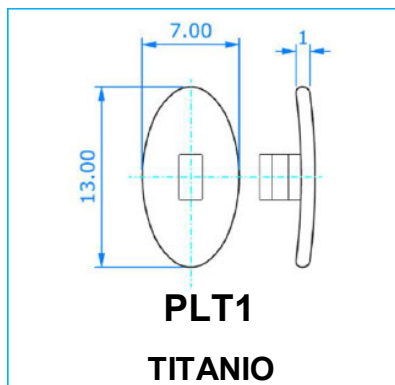
安裝系統: 鎖式 / 夾式

Available Colours: Gold, Copper & Gunmetal

顏色: 金, 銅色或槍色

MADE IN GERMANY

德國製造



100% Made In Italy
REACH, CPSIA, Californian Proposition 65,
Regulation (EC) No 1907/2006, UNI EN ISO 10993

100% 意大利製造 符合歐美法規

Titanium Nose Pads

鈦金屬鼻托

Assembly System: Screw / Click-in

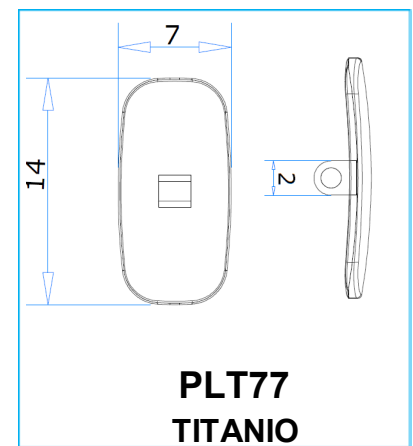
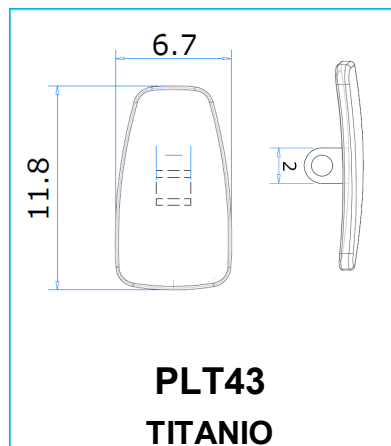
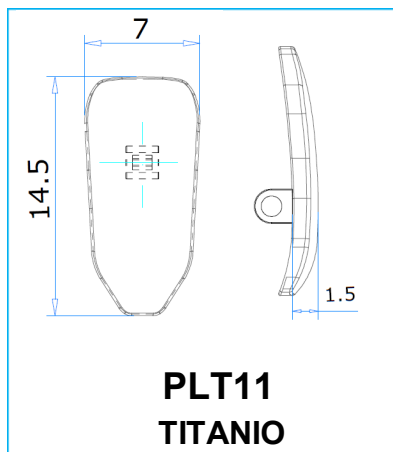
安裝系統: 鎖式 / 夾式

Available Colours: Gold, Copper & Gunmetal

顏色: 金, 銅色或槍色

MADE IN ITALY

意大利製造



100% Made In Italy
REACH, CPSIA, Californian Proposition 65,
Regulation (EC) No 1907/2006, UNI EN ISO 10993

100% 意大利製造 符合歐美法規

Titanium Nose Pads

鈦金屬鼻托

Assembly System: Screw

安裝系統：鎖式

Available Colours: Gold, Copper & Gunmetal

顏色：金，銅色或槍色



100% Made In Italy
 REACh, CPSIA, Californian Proposition 65,
 Regulation (EC) No 1907/2006, UNI EN ISO 10993

100% 意大利製造 符合歐美法規

Ceramic Nose Pads

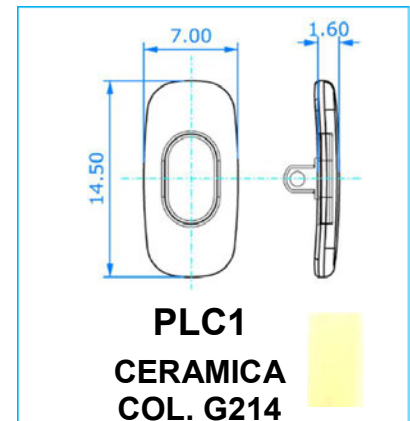
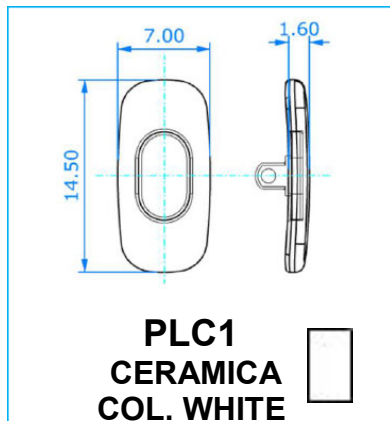
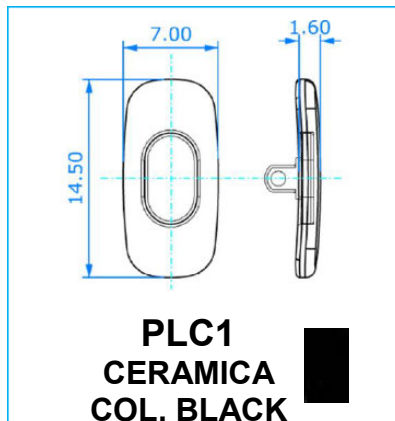
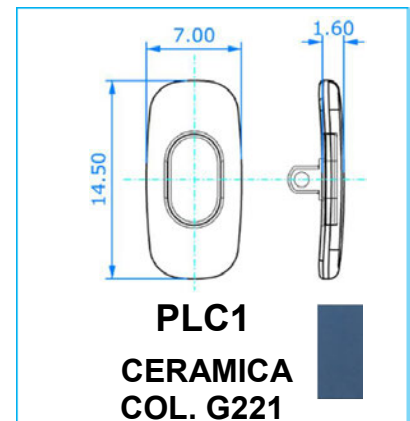
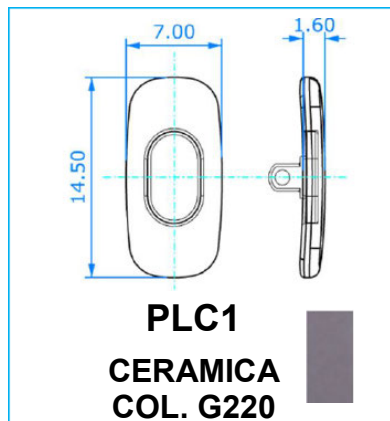
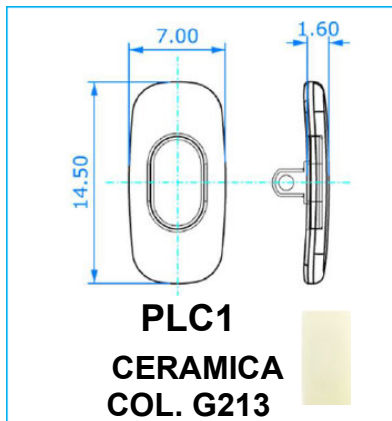
陶瓷鼻托

Assembly System: Screw

安裝系統：鎖式

Available in 6 colours

六種顏色選擇



100% Made In Italy
REACH, CPSIA, Californian Proposition 65,
Regulation (EC) No 1907/2006, UNI EN ISO 10993

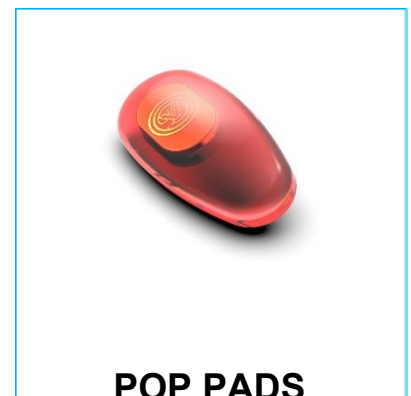
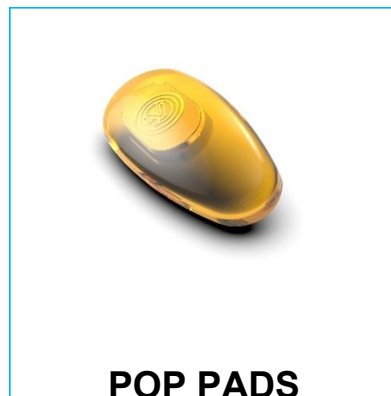
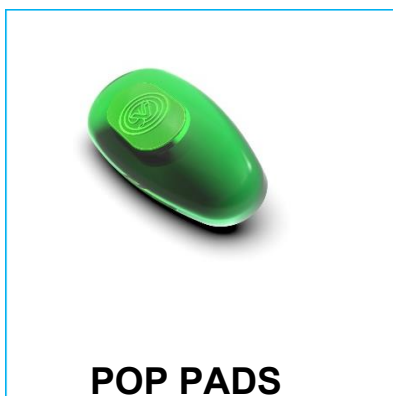
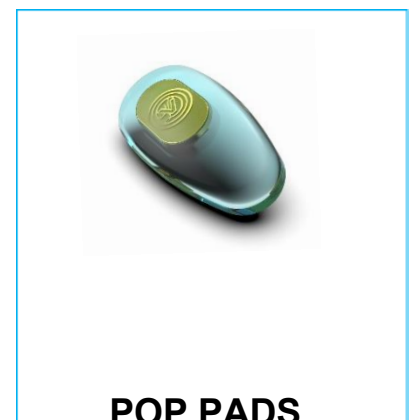
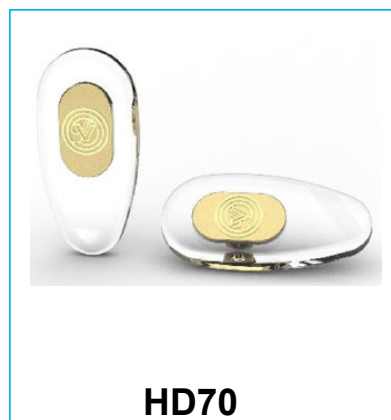
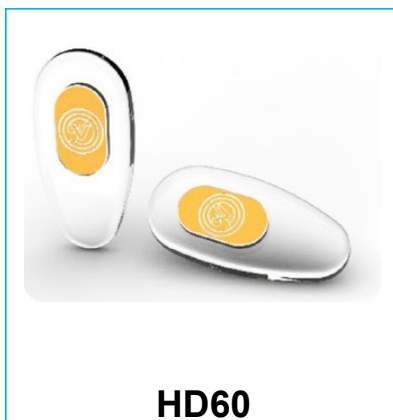
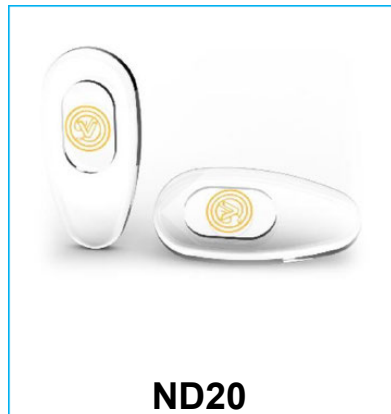
100% 意大利製造 符合歐美法規

Customized Nose Pads

定製鼻托

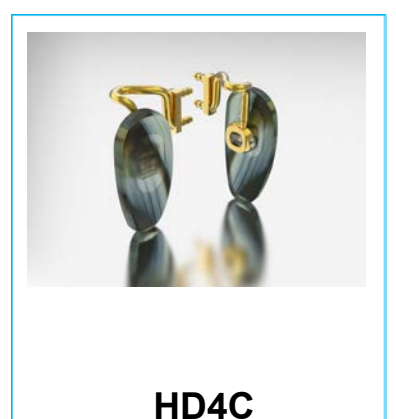
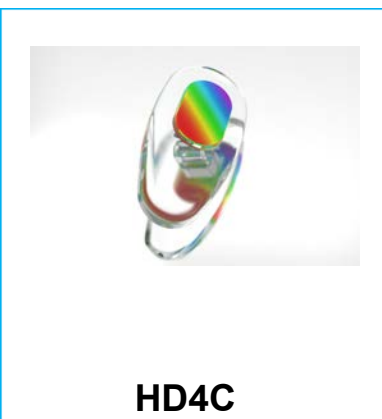
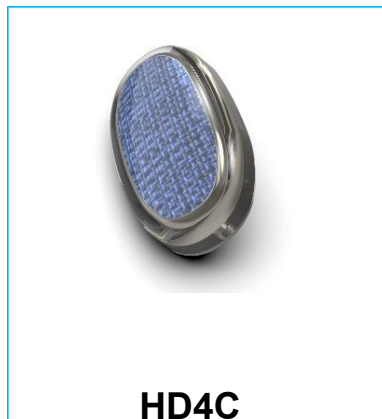
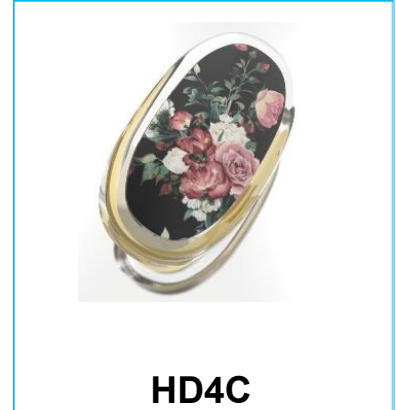
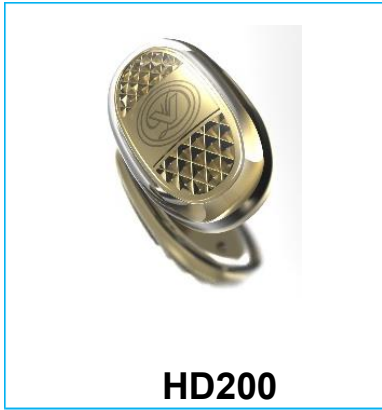
All nose pads can be customized according to your design, logo and colours.

所有鼻托都可以按客人設計，商標品牌和顏色定製



100% Made In Italy
 REACh, CPSIA, Californian Proposition 65,
 Regulation (EC) No 1907/2006, UNI EN ISO 10993

100% 意大利製造 符合歐美法規



100% Made In Italy
REACH, CPSIA, Californian Proposition 65,
Regulation (EC) No 1907/2006, UNI EN ISO 10993

100% 意大利製造 符合歐美法規

